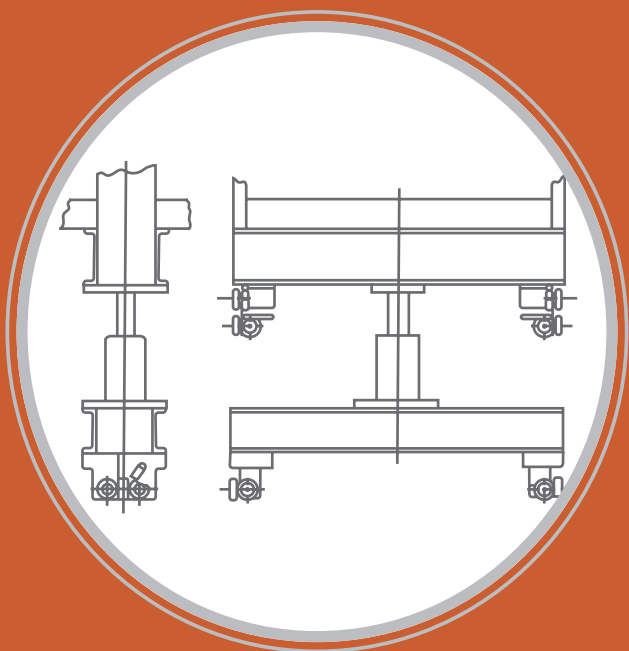


Field Employees' Elevator Testing Manual



5th Edition